

IOT-800

8" Risc-based Panel PC



Features

- Built-in CAN 2.0b / OBD-II to support fleet management applications
- 2M front camera and mini-SIM card support for in-vehicle surveillance
- Multiple I/O including LAN, USB 2.0, and RS232 support
- Built-in WWAN, WLAN, GPS, and Bluetooth
- Ruggedized design with front bezel IP65 rating

System

| | |
|--------|--------------------------------|
| CPU | Quad-core ARM Cortex-A9 1.6GHz |
| OS | Android 4.4 / 5.1 |
| Memory | 1GB LPDDR3 |
| Flash | 16GB eMMC |

Peripherals and Devices

| | |
|--------------|---|
| Front Camera | 2.0 megapixel camera |
| Audio | 1 x built-in speaker (8Ω / 2W) 1 x built-in microphone |

Wireless

| | |
|--------------|--|
| WWAN | Mini PCIE interface WCDMA / CDMA / TDSCDMA / LTE (optional) |
| GPS + BeiDou | GPS mouse (optional) |
| WLAN | IEEE 802.11 a/b/g/n |
| Bluetooth | Bluetooth 4.0 low power BLE |
| NFC | Support NFC transmission standard 14443A/B, 15693, felica |

I/O Interface

| | |
|---------------|---|
| SD Card | microSD card slot, maximum 32 GB |
| USB Host | 2 x USB 2.0 High Speed |
| Speaker | 1 x 8Ω/2W |
| DB9 Interface | 1 x RS-232 (full function), 1 x RS-232/422/485 (TX/RX) |
| LAN | 1 x RJ45, support Ethernet (10/100Mbps) |
| Power | Toggle switch, on/off switchable |
| CAN | CAN 2.0b / OBD-II |
| DIO | 4 x 3.3V GPIO |

LCD Display

| | |
|---------------------------------|------------------------------------|
| Physical size | 8 inches |
| Resolution | 1024 x 600 |
| Technology | High definition |
| Colors | 16M Colors, 24bit |
| Brightness (cd/m ²) | 320 cd/m ² |
| Touchscreen | GG capacitive, 5-point multi-touch |

Power Input

| | |
|----------|--|
| DC Input | 2-pin terminal block 12V~24V auto-detection |
|----------|--|

Mechanical & Environmental

| | |
|---------------------------|--|
| Ingress Protection | Front bezel IP65 |
| Operating Temp. | -10°C ~ 50°C (14°F ~ 122°F) |
| Storage Temp. | -20°C ~ 60°C (-4°F ~ 140°F) |
| Operating Humidity | 5% ~ 90% RH |
| Dimensions (W x H x D) | 218.16 x 162.67 x 46.5 mm (8.59" x 6.41" x 1.83") |
| Weight | Approx 0.926 Kg (2.04 lb) |

Installation

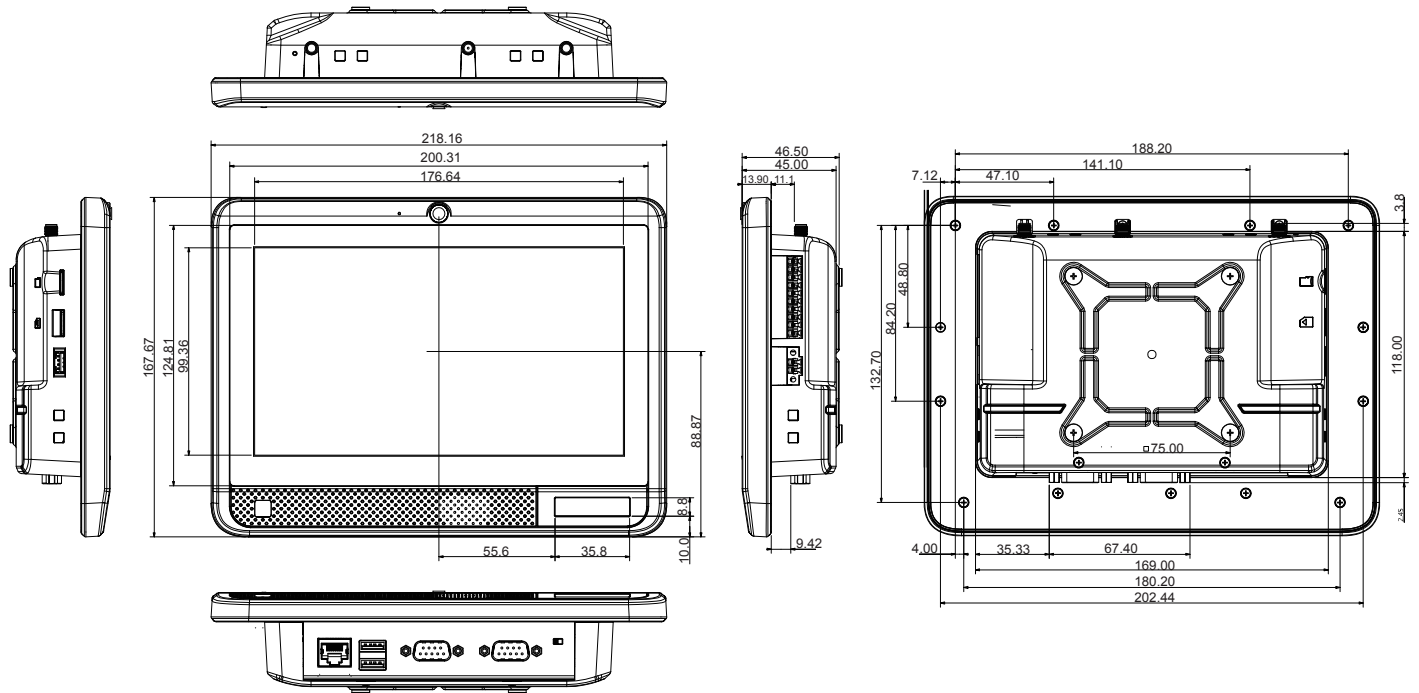
| | |
|------------|-------------|
| VESA Mount | 75mm x 75mm |
|------------|-------------|

Ordering Information

| | |
|---------|--|
| IOT-800 | 8" Risc-based Panel PC with Quad-core ARM Cortex Processor, Front Camera, WLAN and Bluetooth |
|---------|--|



Dimensions





Unit: mm

Standard Accessories

| | |
|--------------------------|--|
| Terminal Block Connector | 2-pin DC Terminal Block, Plug, Green 10-pin Terminal Block, Plug, Green |
| Antenna | Wi-Fi/Bluetooth Antenna |
| Manual | User Manual |

Optional Accessories

| | | |
|------------------------------|---|---|
| AC-DC power adapter | Input : 100V-240V, Output : 12V/2A |  |
| PVB-800 | Vehicle Power Delay Timer Box |  |
| 3G Module + Antenna | UMTS/HSDPA/HSUPA 900(850)/2100(1900)MHz ,GSM/GPRS/EDGE 850/900/1800/1900MHz | |
| 4G Module + Antenna (Global) | FDD LTE:Band 1, Band 3, Band 8 TDD LTE: Band 39, Band 40, Band 41 (38) DC-HSPA+/HSPA+/HSPA/UMTS:Band 1, Band 9, Band 5, Band 8 TD-SCDMA: Band 34, Band 39 GSM/GPRS/EDGE: 1800MHz/900MHz | |
| 4G Module + Antenna (EU) | FDD LTE: Band 1, Band 2, Band 3, Band 4, Band 5, Band 7, Band 8, Band 20, all bands with diversity WCDMA/HSDPA/HSUPA/HSPA+: Band 1, Band 2, Band 5, Band 8, all bands with diversity GSM/GPRS/EDGE: 850 MHz/900 MHz/1800 MHz/1900 MHz | |
| 4G Module + Antenna (US) | LTE:FDD Band 2, Band 4, Band 5, Band 17, all bands with diversity WCDMA/HSDPA/HSUPA/HSPA+: Band 2, Band 4, Band 5, all bands with diversity | |
| GPS | GPS Mouse | |